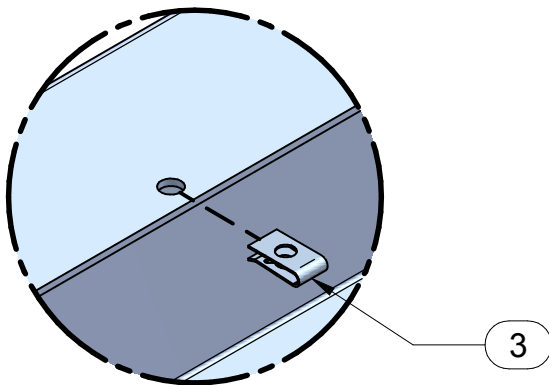
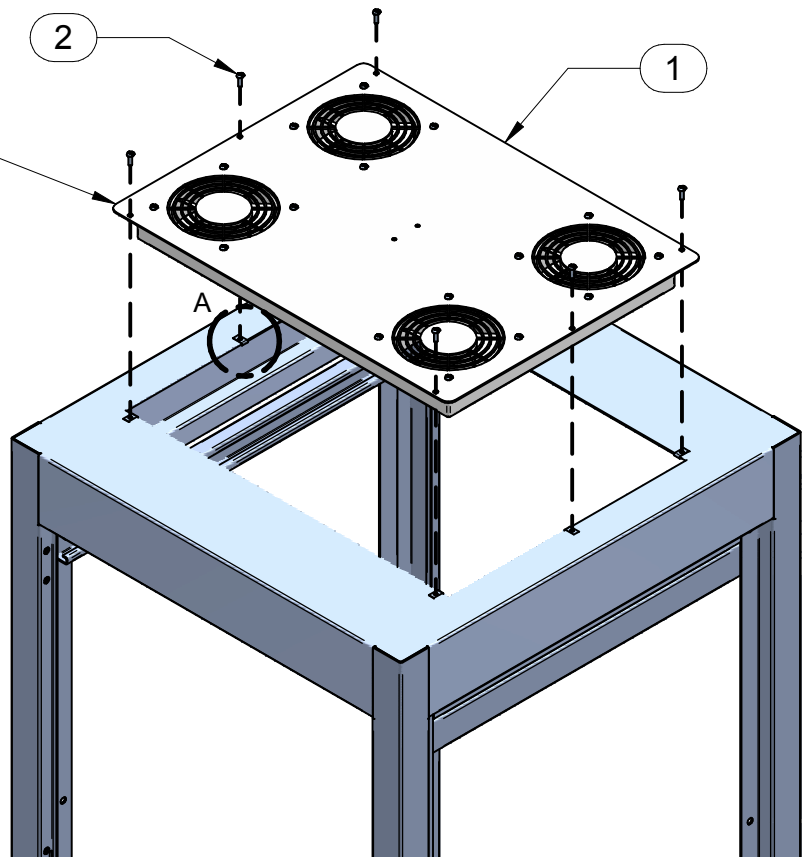


Fan top shown. Common for all tops.



DETAIL A

### ASSEMBLY INSTRUCTIONS:

A) Install U-Clip nuts on top of cabinet frame as shown in Detail A.

B) Place top panel assembly on cabinet frame and loosely install provided 8-32 X 1/2 screws.

C) Tighten hardware.

PARTS LIST	
ITEM No.	DESCRIPTION
1	TOP PANEL
2	8-32 X 1/2 SCREW
3	8-32 U-CLIP NUT

TOOL BOX



Phillips  
Screw Driver



visit our website @ [www.hammondmfg.com](http://www.hammondmfg.com)